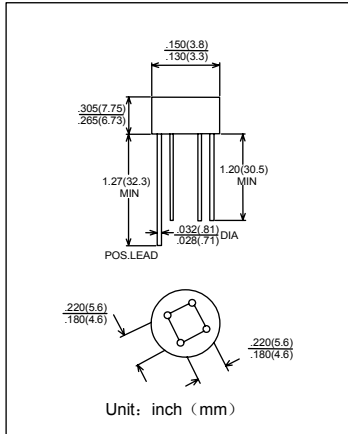


塑封硅整流桥堆  
反向电压 50 ---1000 V  
正向电流 2.0 A

Single-phase Silicon Bridge Rectifier  
Reverse Voltage 50 to 1000 V  
Forward Current 2.0 A



**特征 Features**

- 低的反向漏电流 Low reverse leakage
- 浪涌承受能力: 50 A Surge overload rating:50 Amperes peak
- 高温焊接保证 High temperature soldering guaranteed:  
250°C/10 秒, 0.375" (9.5mm)引线长度。  
250°C/10 seconds, 0.375" (9.5mm) lead length,
- 引线可承受5磅 (2.3kg) 拉力。 5 lbs. (2.3kg) tension

**机械数据 Mechanical Data**

- 封装: 塑料封装 Case: Molded Plastic
- 极性: 同于标记 Polarity: As marked
- 安装位置: 任意 Mounting Position: Any

极限值和温度特性 TA = 25°C 除非另有规定。

Maximum Ratings & Thermal Characteristics Ratings at 25°C ambient temperature unless otherwise specified.

	符号 Symbols	RC201	RC202	RC203	RC204	RC205	RC206	RC207	单位 Unit
最大可重复峰值反向电压 Maximum repetitive peak reverse voltage	V <sub>RRM</sub>	50	100	200	400	600	800	1000	V
最大均方根电压 Maximum RMS voltage	V <sub>RMS</sub>	35	70	140	280	420	560	700	V
最大直流阻断电压 Maximum DC blocking voltage	V <sub>DC</sub>	50	100	200	400	600	800	1000	V
最大正向平均整流电流 Maximum average forward rectified current	I <sub>F(AV)</sub>	2.0							A
峰值正向浪涌电流 8.3ms单一正弦半波 Peak forward surge current 8.3 ms single half sine-wave	I <sub>FSM</sub>	50							A
最大反向峰值电流 @TA = 75°C Maximum peak reverse current full cycle	I <sub>R(AV)</sub>	30							μA
典型热阻 Typical thermal resistance	R <sub>θJA</sub>	45							°C/W
工作结温和存储温度 Operating junction and storage temperature range	T <sub>J</sub> , T <sub>STG</sub>	-50 --- +150							°C

电特性 TA = 25°C 除非另有规定。

Electrical Characteristics Ratings at 25°C ambient temperature unless otherwise specified.

	符号 Symbols	RC201	RC202	RC203	RC204	RC205	RC206	RC207	单位 Unit
最大正向电压 I <sub>F</sub> = 2.0A Maximum forward voltage	V <sub>F</sub>	1.1							V
最大反向电流 TA= 25°C Maximum reverse current TA=100°C	I <sub>R</sub>	10 1.0							μA mA
典型结电容 V <sub>R</sub> = 4.0V, f = 1MHz Type junction capacitance	C <sub>j</sub>	30							pF

特性曲线 Characteristic Curves

