

塑封硅整流桥堆

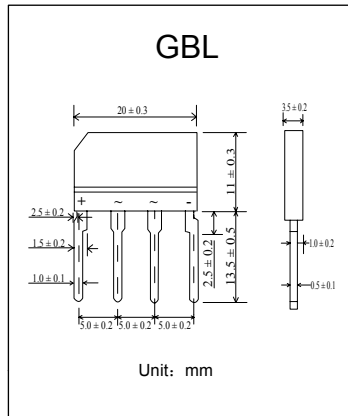
反向电压 600V

正向电流 4.0A

Single-phase Silicon Bridge Rectifier

Reverse Voltage 600 V

Forward Current 4A



特征 Features

- 低的反向漏电流 Low reverse leakage
- 较强的正向浪涌承受能力 High forward surge capability
- 浪涌承受能力: 170 A Surge overload rating: 170 Amperes peak
- 引线 and 管体皆符合ROHS标准。
Lead and body according with ROHS standard

机械数据 Mechanical Data

- 封装: 塑料封装 Case: Molded Plastic
- 极性: 标记模压或印于本体 Polarity: Symbols molded or marked on body
- 安装位置: 任意 Mounting Position: Any

极限值和温度特性 TA = 25°C 除非另有规定。

Maximum Ratings & Thermal Characteristics Ratings at 25°C ambient temperature unless otherwise specified.

	符号 Symbols	GBL06	单位 Unit
最大可重复峰值反向电压 Maximum repetitive peak reverse voltage	V_{RRM}	600	V
最大均方根电压 Maximum RMS voltage	V_{RMS}	420	V
最大直流阻断电压 Maximum DC blocking voltage	V_{DC}	600	V
最大正向平均整流电流 Maximum average forward rectified current	$I_{F(AV)}$	4.0	A
峰值正向浪涌电流 8.3ms 单一正弦半波 Peak forward surge current 8.3 ms single half sine-wave	I_{FSM}	150	A
最大反向峰值电流 @TA = 75°C Maximum peak reverse current full cycle	$I_{R(AV)}$	30	μA
典型热阻 Typical thermal resistance	$R_{\theta JA}$	15	°C/W
工作结温和存储温度 Operating junction and storage temperature range	Tj, TSTG	-55 --- +150	°C

电特性 TA = 25°C 除非另有规定。

Electrical Characteristics Ratings at 25°C ambient temperature unless otherwise specified.

	符号 Symbols	GBL06	单位 Unit
最大正向电压 $I_F = 4.0A$ Maximum forward voltage	V_F	1.1	V
最大反向电流 TA= 25°C Maximum reverse current TA=125°C	I_R	5 500	μA
典型结电容 $V_R = 4.0V, f = 1MHz$ Type junction capacitance	C_j	40	pF

特性曲线 Characteristic Curves

